

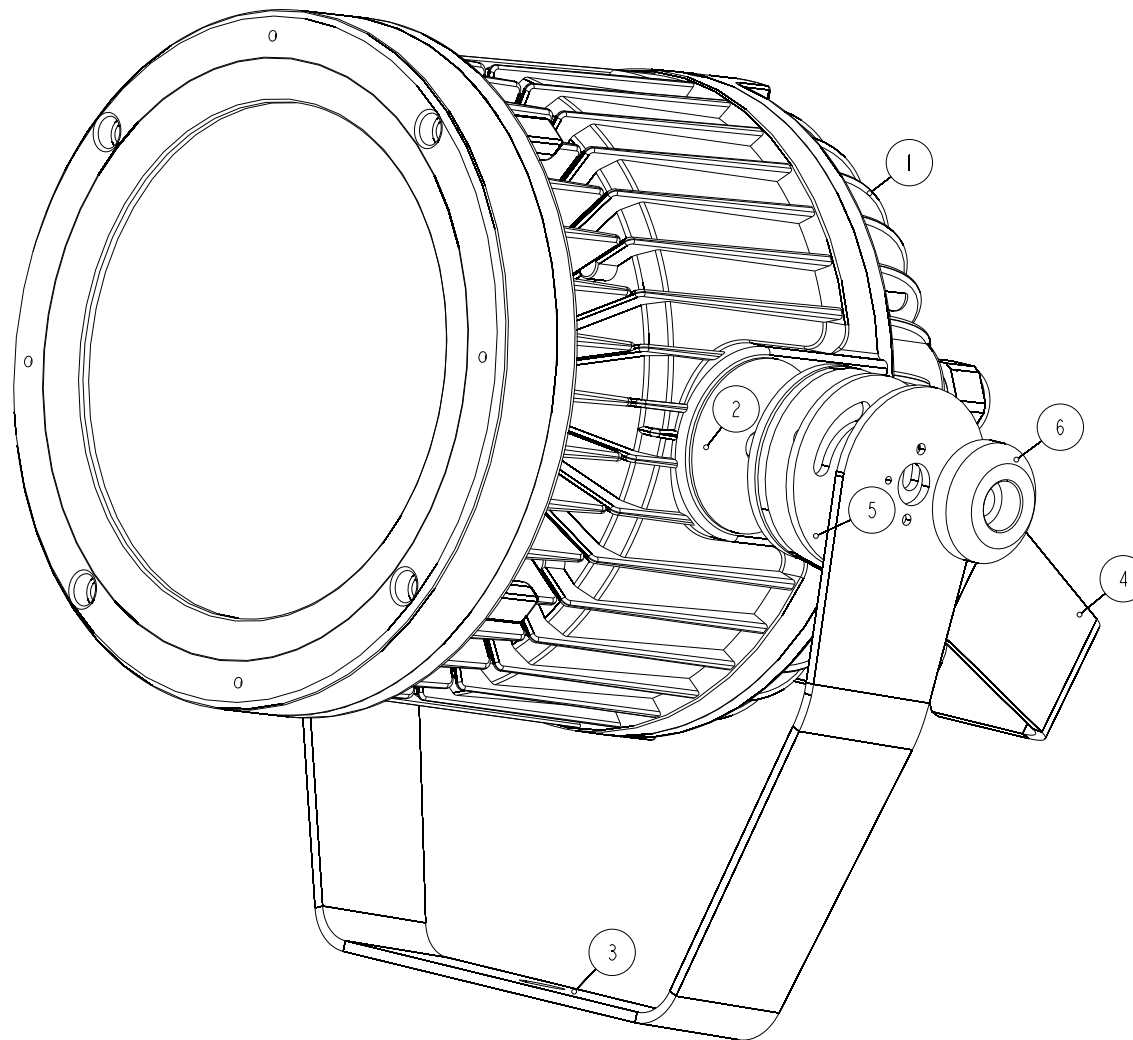
Service manual

DLED 108 IP

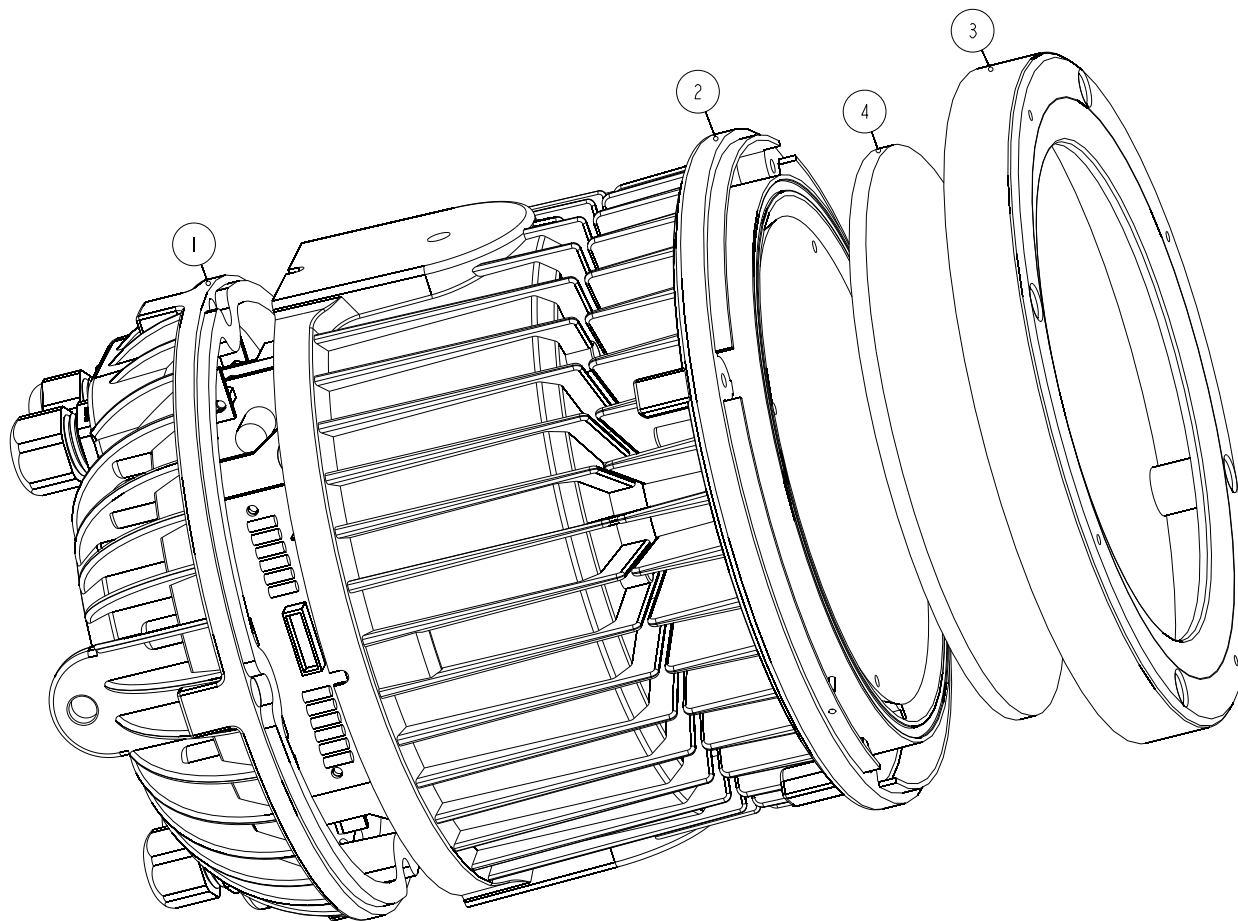
- ✘ **Exploded Diagrams**
- ✘ **Circuit Diagrams**
- ✘ **Wiring Diagrams**
- ✘ **Parts List**



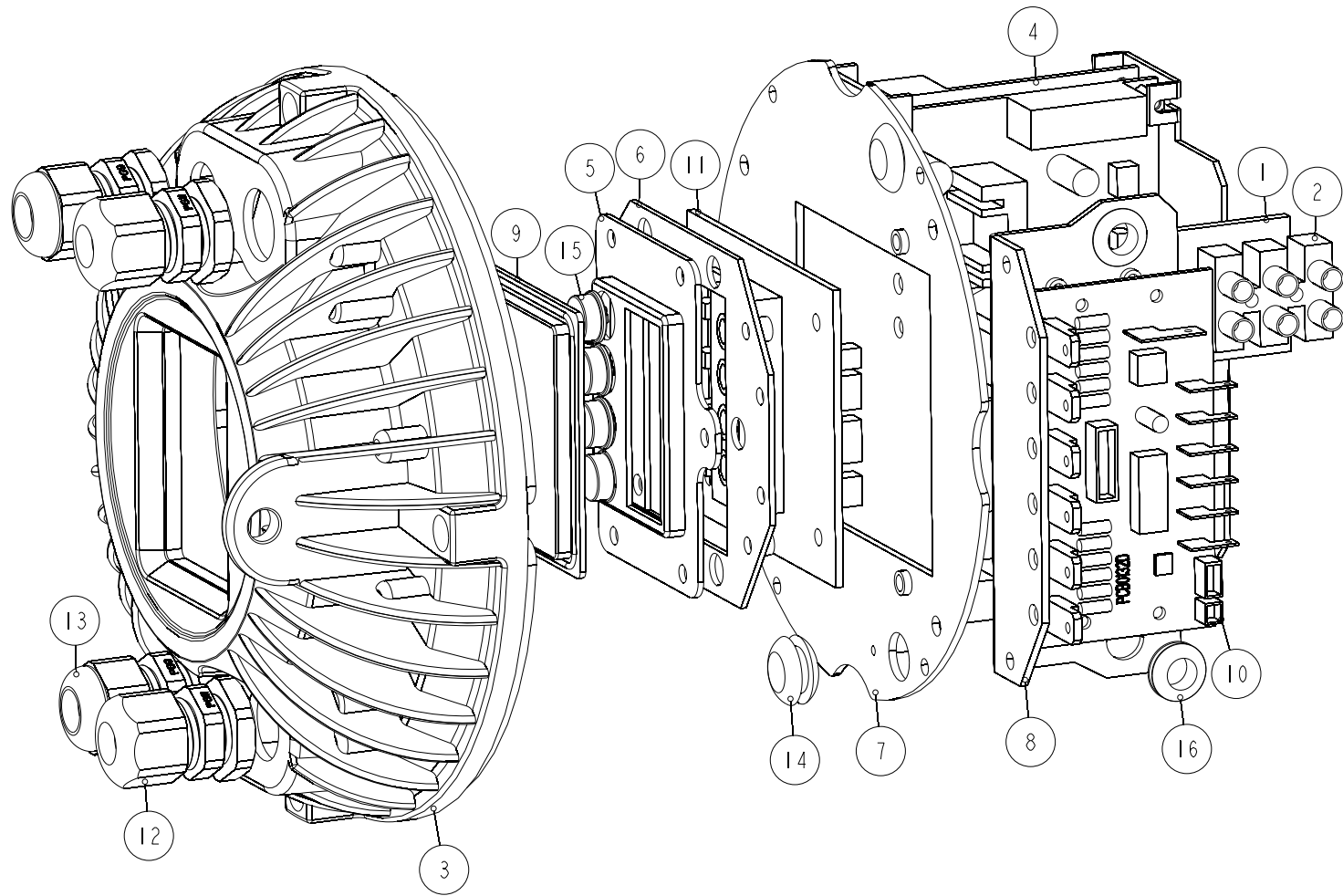
PRODUCT		DLED 108 IP		
PIC. NO.		Front Page		
EDIT		FILE NO.	GS-EXP-384A	
CHECK		ORDER NO.	SO20080040	
APPROVE		VERSION	NR	SOFTWARE VER. V1.0



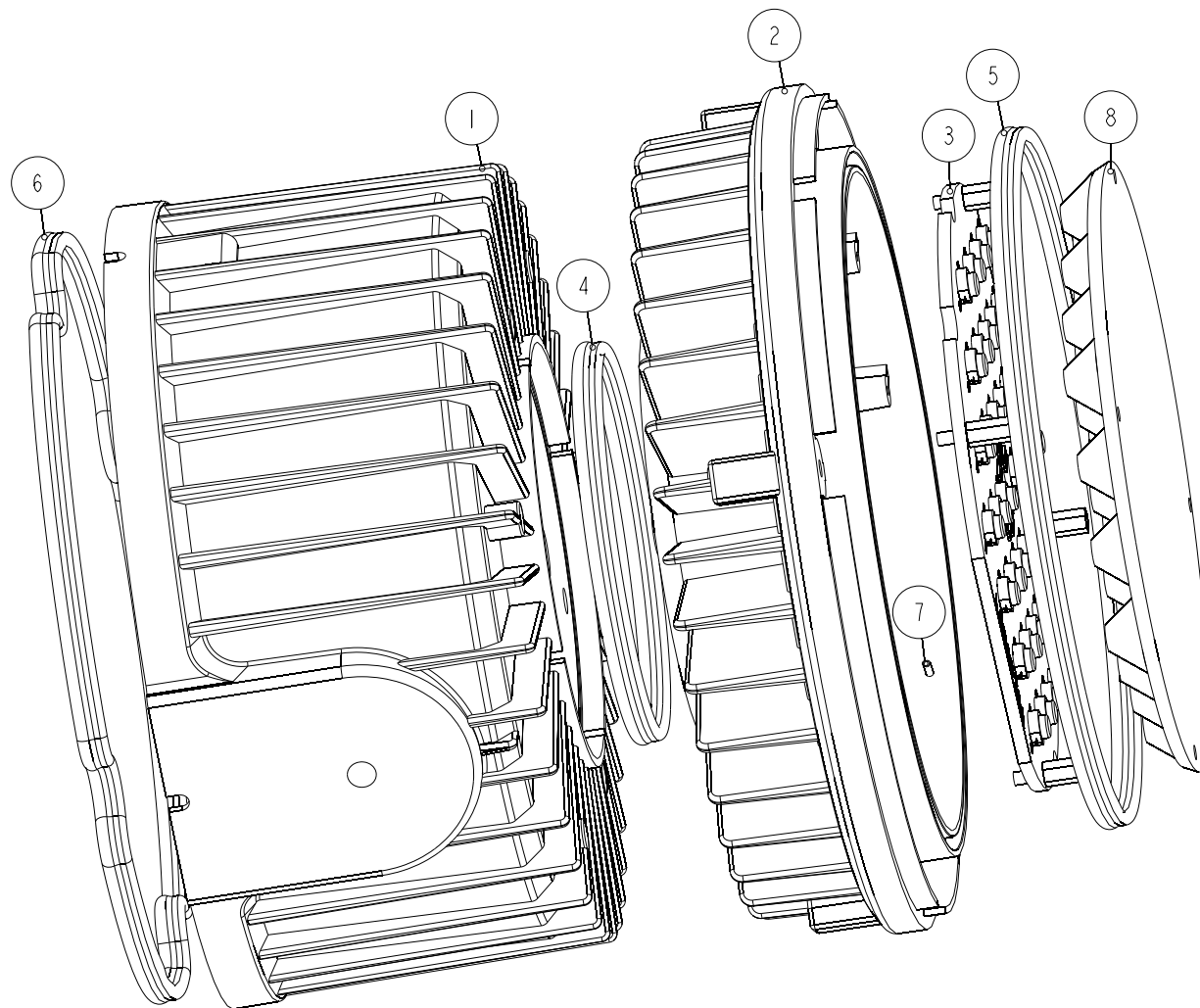
PRODUCT		DLED 108 IP			
PIC. NO.		14-0016-00-00-00			
EDIT		FILE NO.	GS-EXP-384A	PAGE NO.	1/8
CHECK		VERSION	NR	DATE	2008.04.29
APPROVE		ECN NO.		DATE	



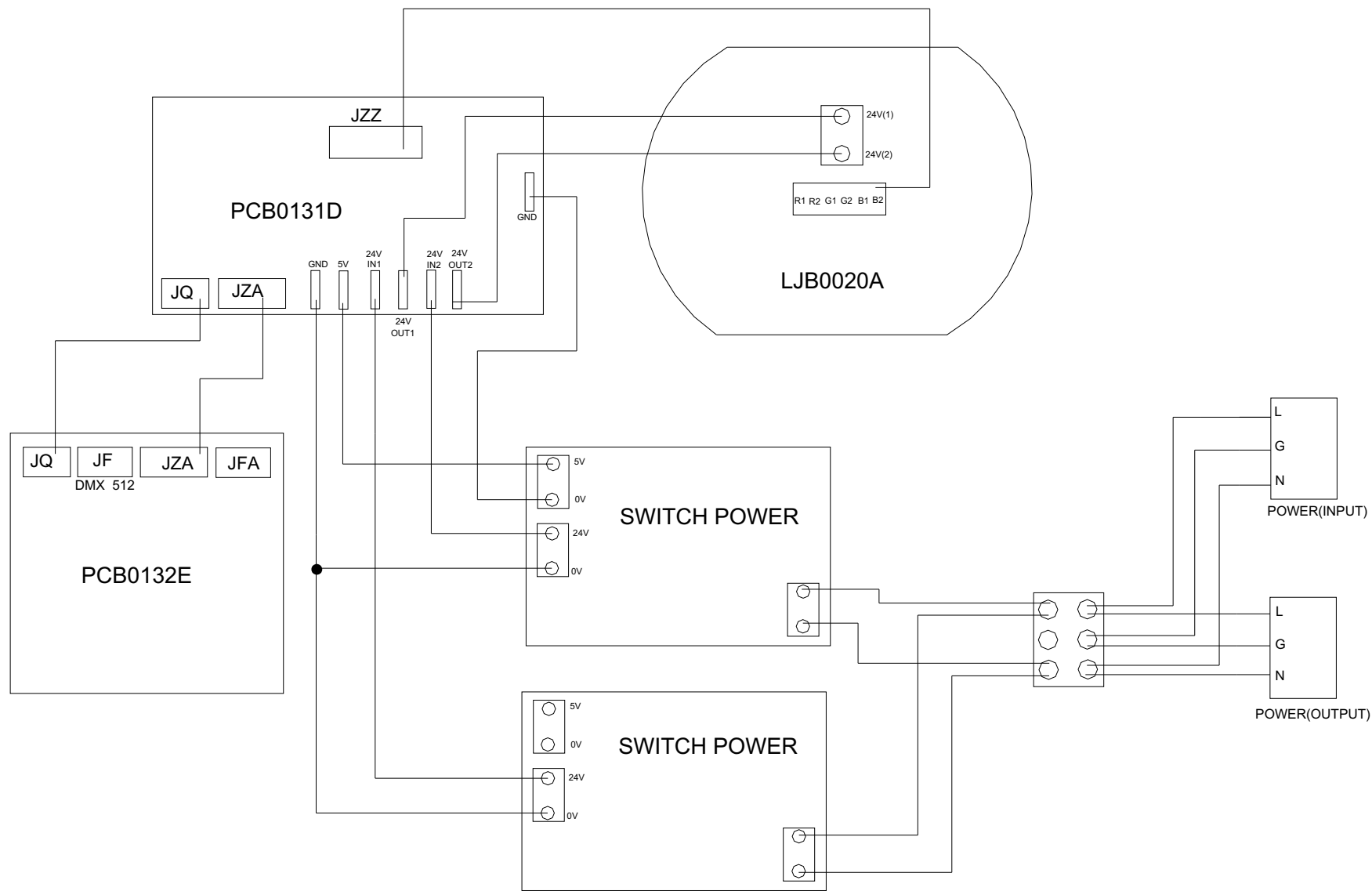
PRODUCT		DLED 108 IP			
PIC. NO.		14-0016-01-00-00			
EDIT		FILE NO.	GS-EXP-384A	PAGE NO.	2/8
CHECK		VERSION	NR	DATE	2008.04.29
APPROVE		ECN NO.		DATE	



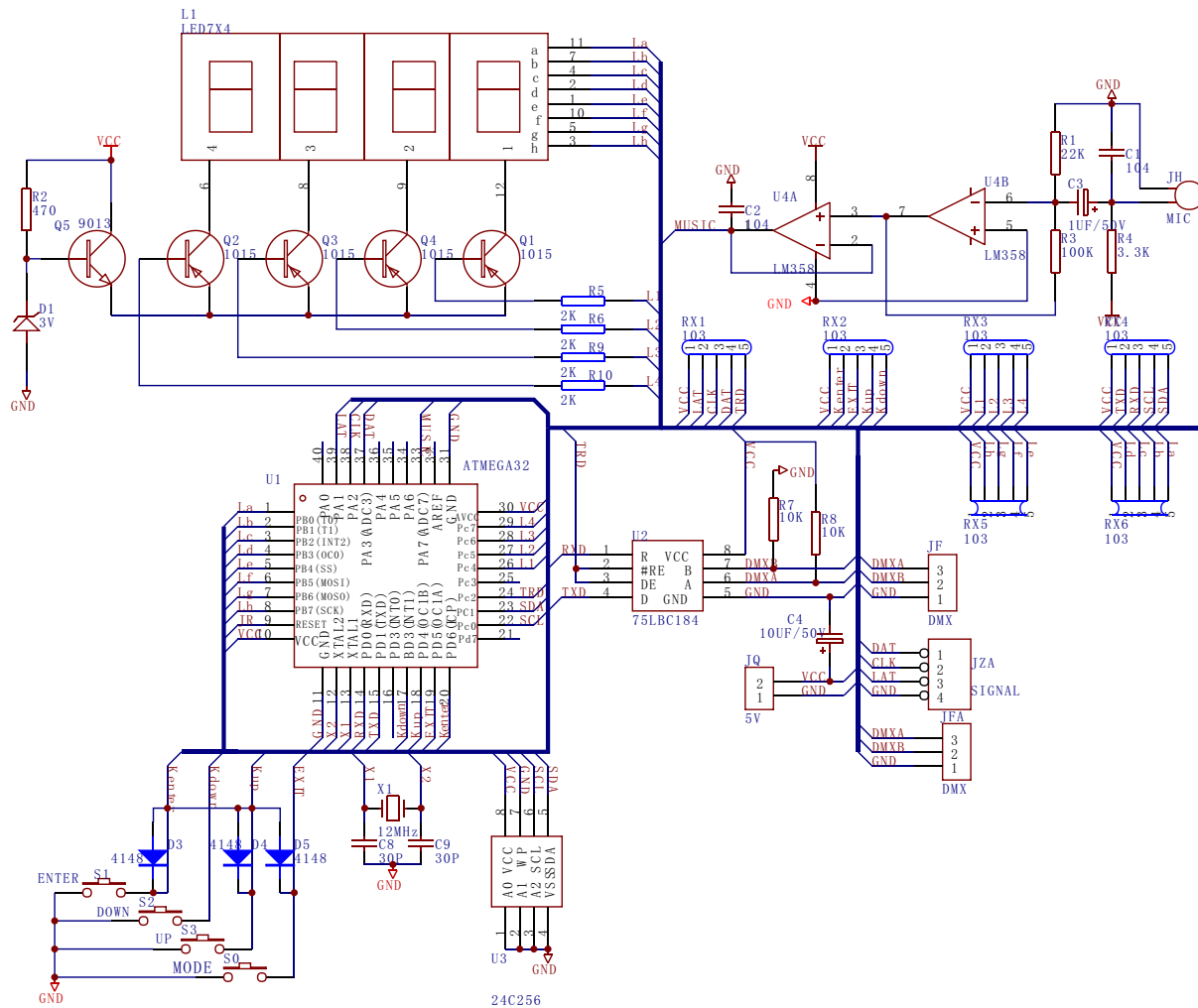
PRODUCT		DLED 108 IP			
PIC. NO.		14-0016-01-01-00			
EDIT		FILE NO.	GS-EXP-384A	PAGE NO.	3/8
CHECK		VERSION	NR	DATE	2008.04.29
APPROVE		ECN NO.		DATE	



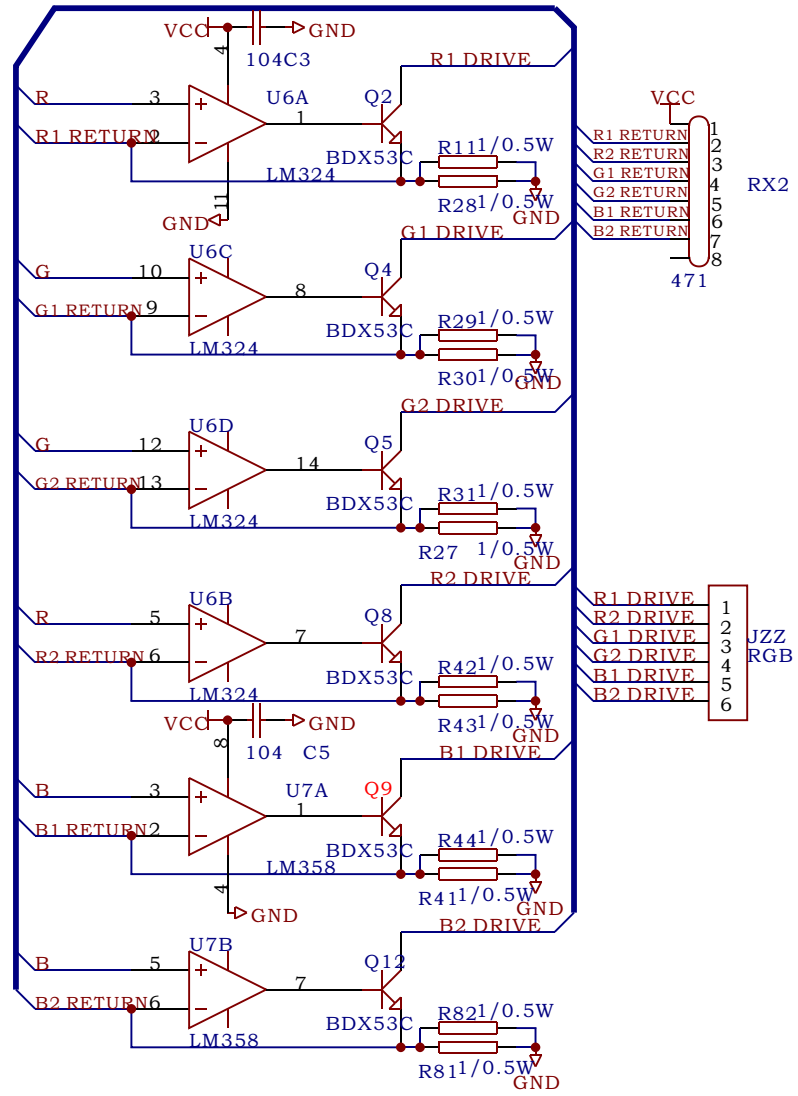
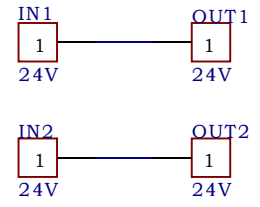
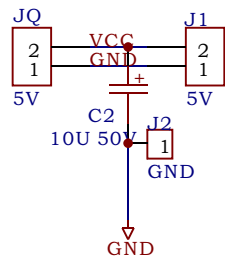
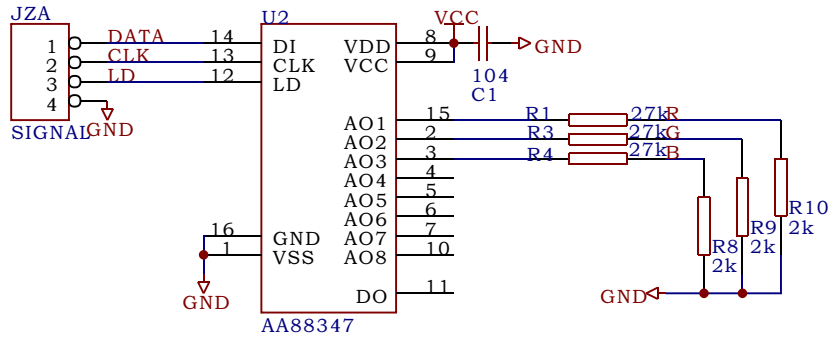
PRODUCT		DLED 108 IP			
PIC. NO.		14-0016-01-02-00			
EDIT		FILE NO.	GS-EXP-384A	PAGE NO.	4/8
CHECK		VERSION	NR	DATE	2008.04.29
APPROVE		ECN NO.		DATE	



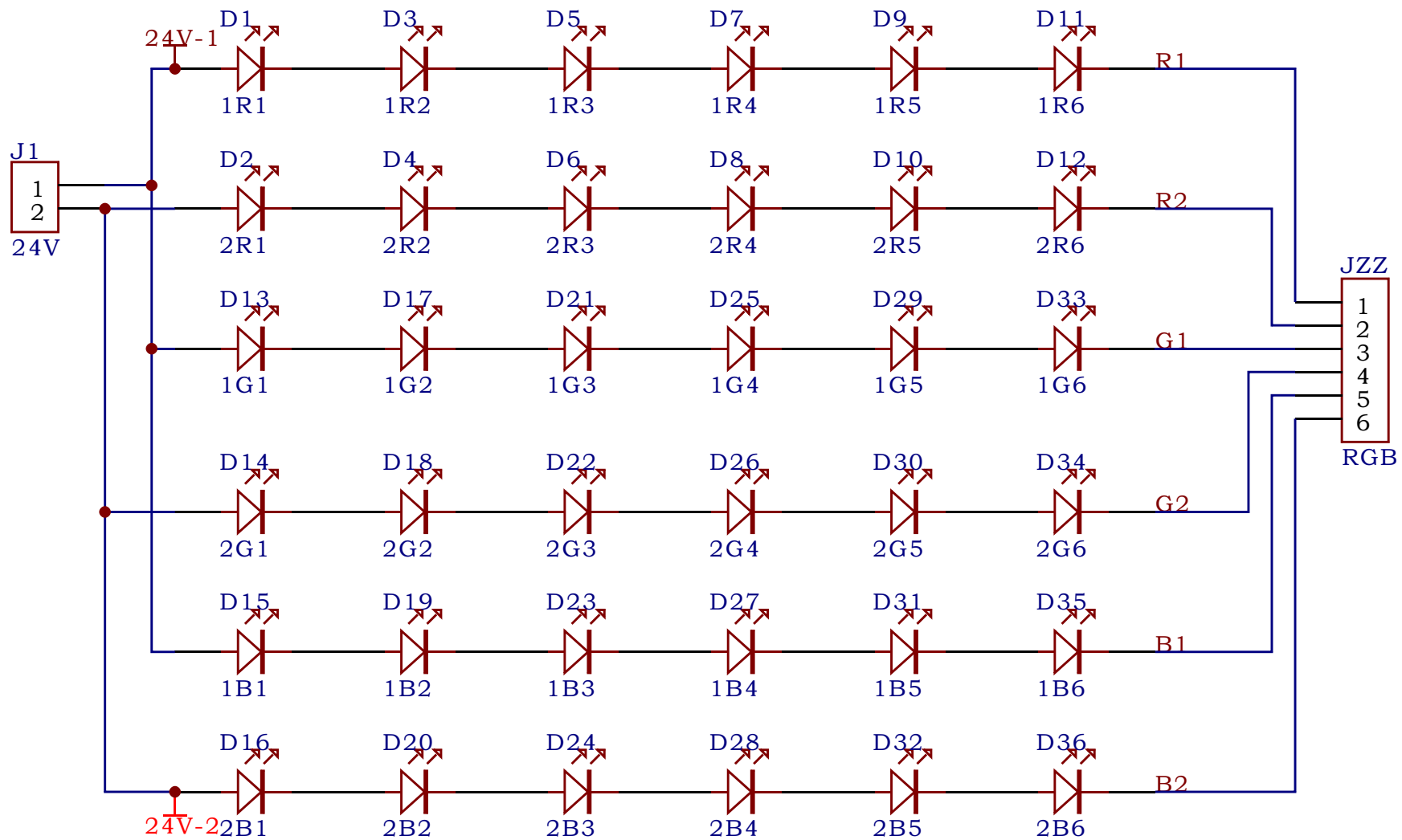
PRODUCT		DLED 108 IP			
PIC. NO.		OVAL 36FD ELECTRIC			
EDIT		FILE NO.	GS-WIJL-GO18	PAGE NO.	5/8
CHECK		VERSION	NR	DATE	2008.04.29
APPROVE		ECN NO.		DATE	



PRODUCT		DLED 108 IP			
PIC. NO.		PCB0132E SCHEME			
EDIT		FILE NO.	GS-WIDL-273	PAGE NO.	6/8
CHECK		VERSION	NR	DATE	2008.04.29
APPROVE		ECN NO.		DATE	



PRODUCT		DLED 108 IP			
PIC. NO.		PCB0131D SCHEME			
EDIT		FILE NO.	GS-WIDL-274	PAGE NO.	7/8
CHECK		VERSION	NR	DATE	2008.04.29
APPROVE		ECN NO.		DATE	



PRODUCT		DLED 108 IP			
PIC. NO.		LJB0020A SCHEME			
EDIT		FILE NO.	GS-WIDL-275	PAGE NO.	8/8
CHECK		VERSION	NR	DATE	2008.04.29
APPROVE		ECN NO.		DATE	